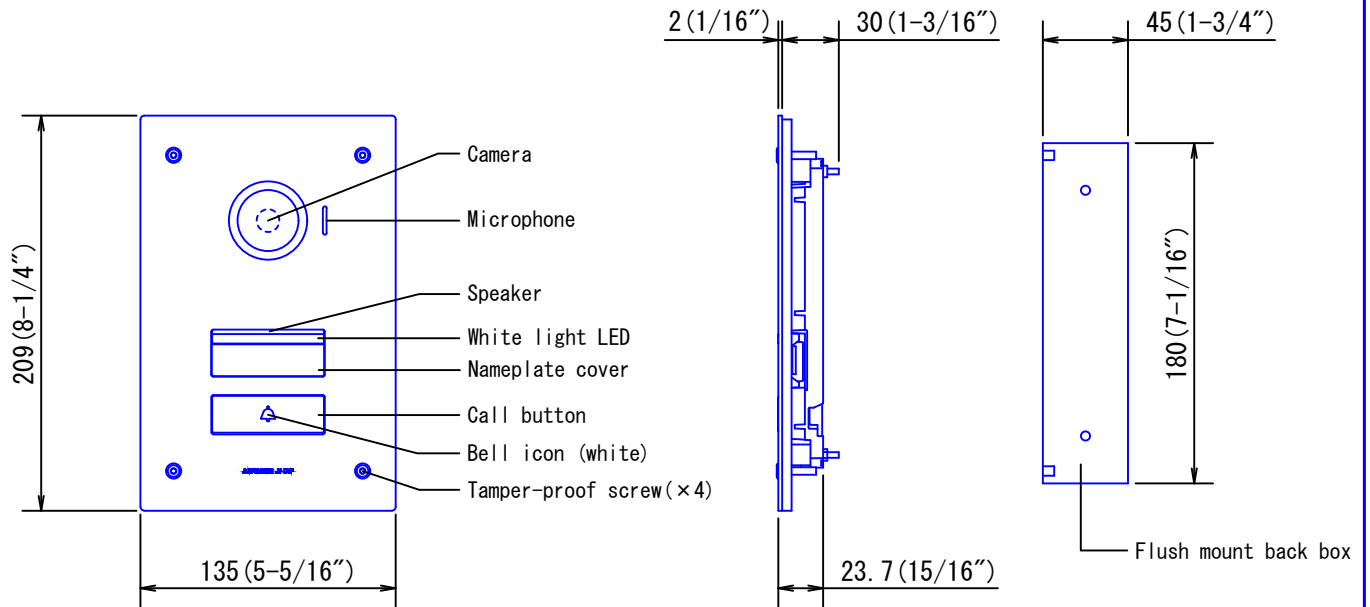
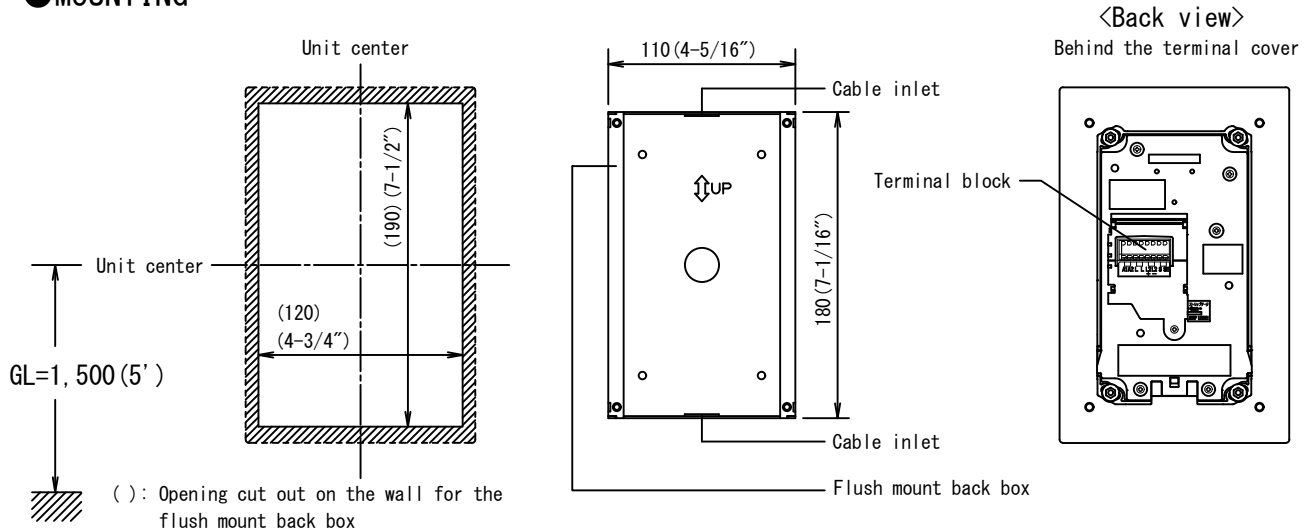


## PRODUCT DRAWING



## MOUNTING



## SPECIFICATIONS

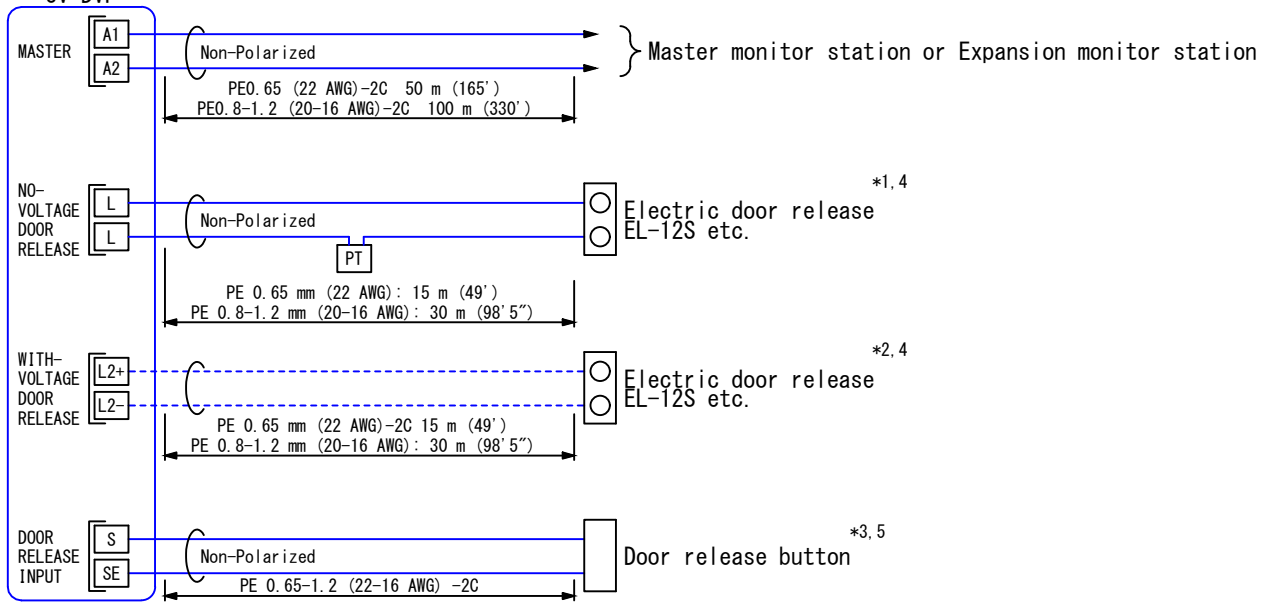
Power source	Supplied from Master monitor station or Expansion monitor station
Type of communication	Auto-voice actuation
Camera	1/5 inch color CMOS
Minimum illumination	Approx.5 lux
Ambient temperature	-20~+60°C (-4~+140° F)
Mounting	Flush mount
Electrical box	Not used(Mounts on flush mount back box)
Material	Front panel: Stainless steel. Main unit: Flame resistant ABS resin
Weight	Approx. 570g (1.26 lbs) (Flush mount back box: Approx. 440g (0.98 lbs.))
Unit color	Front panel: Silver (Stainless steel, vertical hair-line processed.) Call button: Gunmetal silver Flush mount back box: Black
IP rating	IP54
IK rating	IK08

DESCRIPTION	FIG. NAME	UNIT	DATE
VIDEO DOOR STATION	PRODUCT DRAWING/SPEC.	mm	15 December, 2023
MODEL NO.	FIG. NO.	PAGE	REVISION
JV-DVF	JV-DVF-1-3	1/3	1

**AIPHONE**

## WIRING DIAGRAM

Video door station  
JV-DVF



**PT**: AC transformer

PE: Polyethylene-insulated PVC jacket cable

### \*1 Output specifications

Output method	Dry contact (N/O)
Contact rating	24 VDC, 1 A (resistive load)

### \*2 Output specifications

Output method	Wet contact
Output current	500 mA or less
Output voltage	12 VDC

### \*3 Input specifications

Input method	Dry contact (N/O)
Detection time	100 msec or more
Contact resistance	300 Ω or less
Terminal short-circuit current	10 mA or less
Voltage between terminals	5 VDC or less (between open terminals)

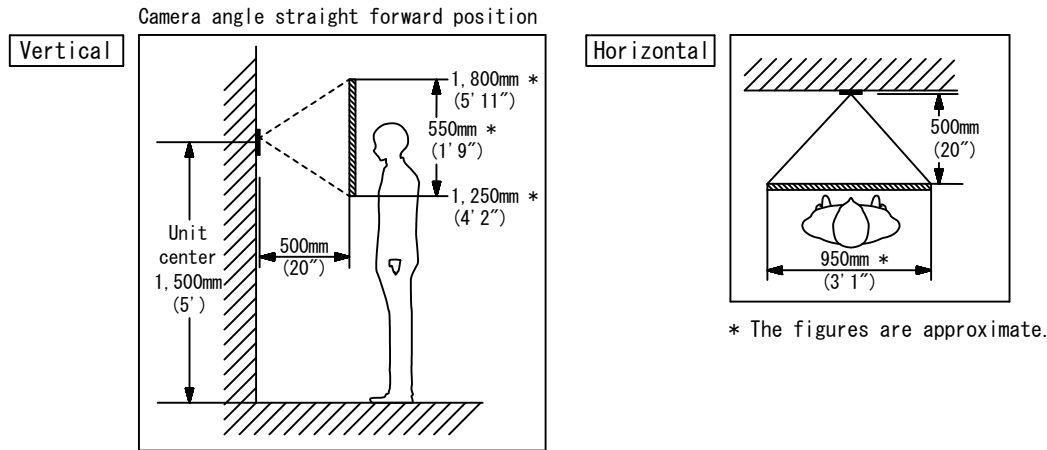
\*4 Only connect an electric lock to a single location in the system.

\*5 The external door release button activates only electric lock which is connected to the door station.

DESCRIPTION VIDEO DOOR STATION	FIG. NAME WIRING DIAGRAM	UNIT mm	DATE 15 December, 2023
MODEL NO. JV-DVF	FIG. NO. JV-DVF-2-3	PAGE 2/3	REVISION 1

**AIPHONE**

## ■ IMAGE VIEW AREA & MOUNTING HEIGHT

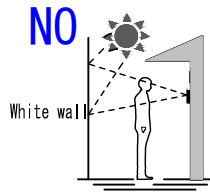


## ■ RESTRICTIONS

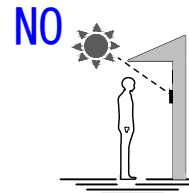
- JV-DVF is exclusively used for JV Series.
- Avoid installing JV-DVF in the following locations:



At the entrance where background is sky in upper floors of condominiums, etc.



The background of the standing caller's is white wall.



Where the standing location is strongly sunlit.

- Do not install at an angle where water may splash. (Water cannot be drained out, resulting in malfunction.)

## ■ FUNCTIONS

- Initiating a call to and entering communication with Master monitor station or Expansion monitor station.
- Nameplate is backlit constantly.
- Selectable no-voltage door release or with-voltage door release.

DESCRIPTION VIDEO DOOR STATION	FIG. NAME IMAGE/RESTR./FCN.	UNIT mm	DATE 15 December, 2023
MODEL NO. JV-DVF	FIG. NO. JV-DVF-3-3	PAGE 3/3	REVISION 1
			<b>AIPHONE</b>