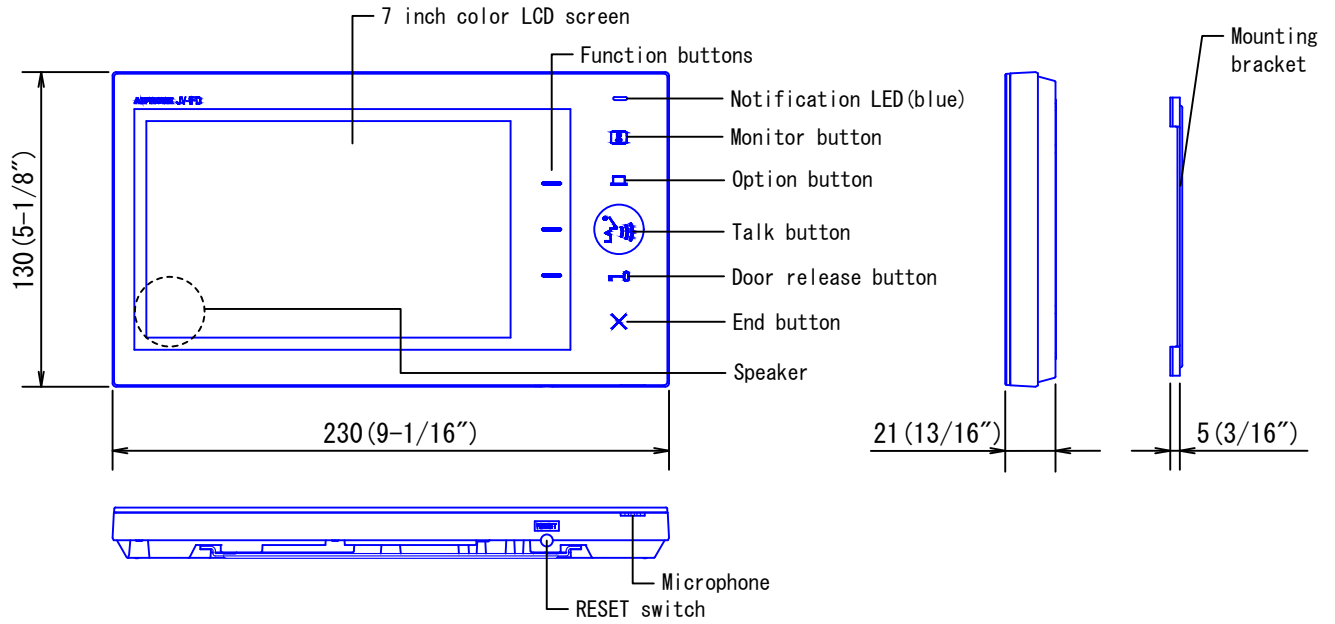
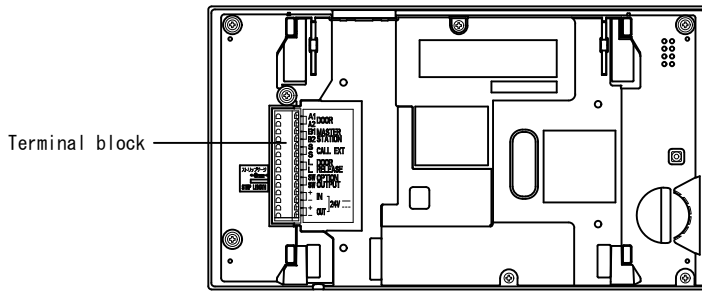


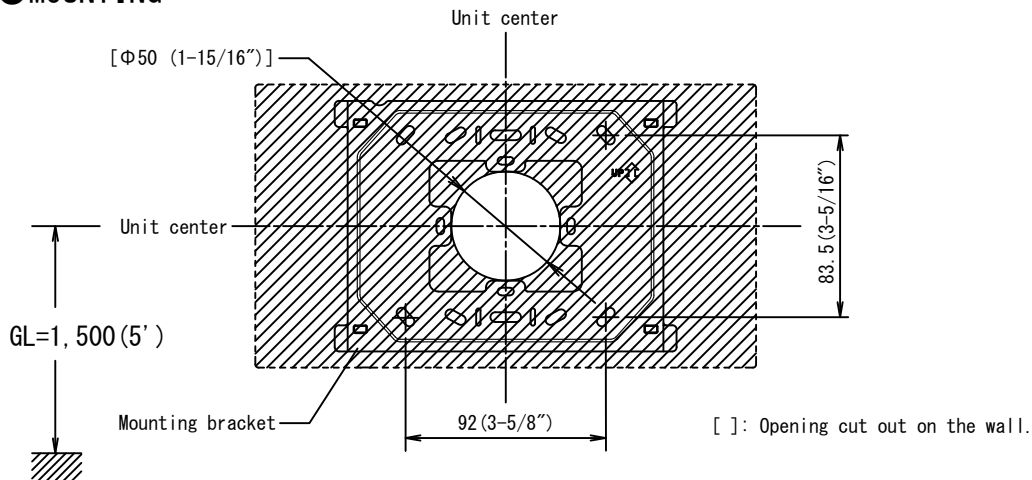
PRODUCT DRAWING



<Back view>



MOUNTING



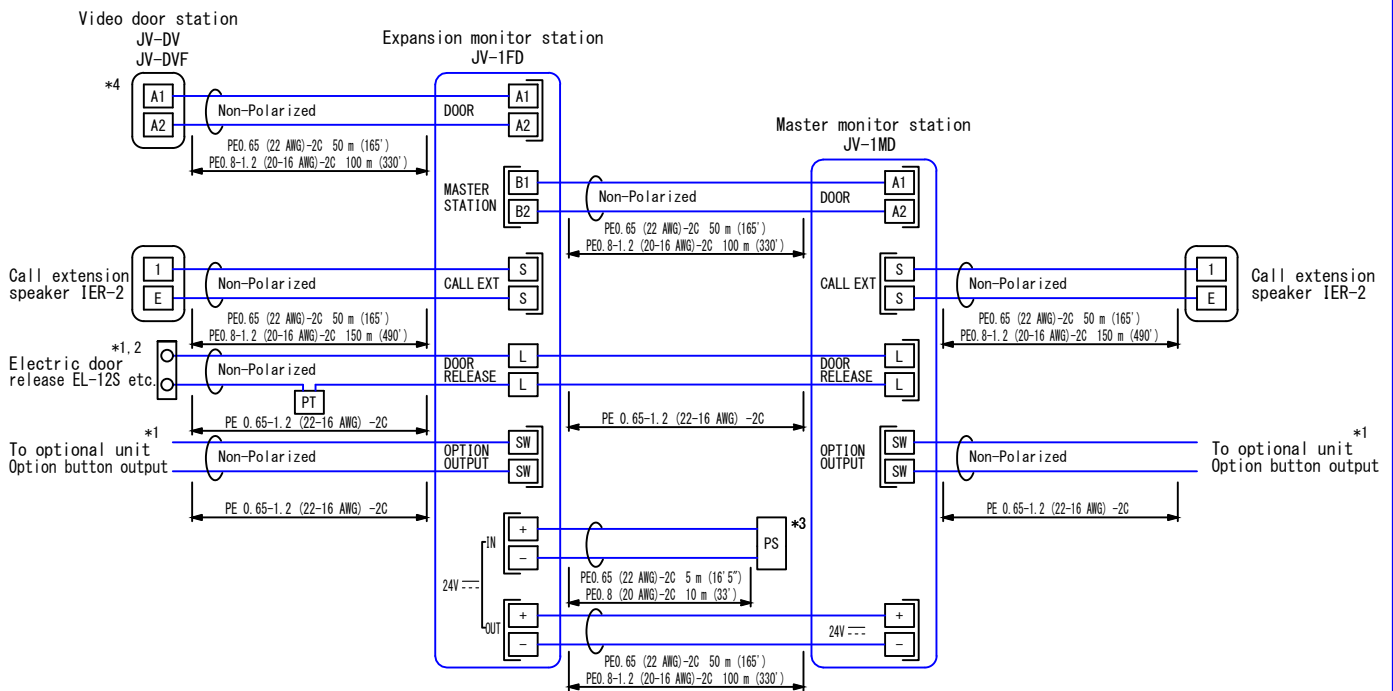
DESCRIPTION EXPANSION MONITOR STATION	FIG. NAME PRODUCT DRAWING	UNIT mm	DATE 15 December, 2023
MODEL NO. JV-1FD	FIG. NO. J53172-1-5	PAGE 1/5	REVISION 1
			AIPHONE

■ SPECIFICATIONS

Power source	24V DC, Supplied from a power supply
Power consumption	Standby 165 mA, Max. 1,100 mA
Video monitor	7 inch TFT color LCD
Monitor	WVGA
Type of communication	Auto-voice actuation or Press-to-talk communication
Operating ambient temperature	0 - 40°C (32 ° - 104 ° F)
Video door station	1 unit
Master monitor station	1 unit
Call extension	1 unit
Door release contact	24V AC/DC, 1A (N/O dry closure contact)
Option button output	24V AC/DC, 1A (N/O dry closure contact)
Mounting	Surface wall mount
Electrical box	3-gang box or box $\Phi 60$ mm
Material	Flame resistant PC + ABS resin
Weight	Approx. 530 g (1.17 lbs)
Unit color	Snow white (5Y9.3/0.1 Munsell Approximation)

DESCRIPTION EXPANSION MONITOR STATION	FIG. NAME SPECIFICATIONS	UNIT mm	DATE 15 December, 2023
MODEL NO. JV-1FD	FIG. NO. J53172-2-5	PAGE 2/5	REVISION 1
			AIPHONE

WIRING DIAGRAM



PS: 24V DC, PS-2420DM, PS-2420-0, PS-2420UL, PS-2420S, or PS-2420BF power supply

PT: AC transformer

PE: Polyethylene-insulated PVC jacket cable

*1 Output specifications

Output method	Dry contact (N/O)
Contact rating	24 VDC, 1 A (resistive load)

*2 Only connect an electric lock to a single location in the system.

*3 The wiring distance between the expansion monitor station and the power supply can be extended up to 25 m (82') by using a PE Φ 1.2 mm (16 AWG) cable. However, the maximum distances between the door station and the expansion monitor station, and between the expansion monitor station and the master monitor station will be shortened to 70 m (230') by using a PE Φ 0.8-1.2 mm (20-16 AWG) cable.

*4 When the wet contact output from the door station is 12 VDC, 580 mA (higher than 500 mA, 580 mA or lower), the wiring distances between the door station and the expansion monitor station, and between the master monitor station and the expansion monitor station should be 70 m (230') or shorter by using a PE ϕ 0.8-1.2 mm (20-16 AWG) cable.

DESCRIPTION EXPANSION MONITOR STATION	FIG. NAME WIRING DIAGRAM	UNIT mm	DATE 15 December, 2023
MODEL NO. JV-1FD	FIG. NO. J53172-3-5	PAGE 3/5	REVISION 1

AIPHONE

■ RESTRICTIONS ON OPERATING

- Due to hands-free auto-voice actuation system, smooth voice switching may be hindered by voice strength of the opponent or ambient noise, etc.
- The adjusting with call tone volume on the master monitor station does not vary the volume from call extension speaker.
- Instant voice call in of door station is not available.
- If one monitor station answered a call, the image is also displayed on the other monitor station for approx. 45 seconds.
- Tapping the talk button on one monitor station while the other monitor station is communicating with the door station results in three-way communication.
- The master monitor station and the expansion monitor station cannot directly call or communicate each other.
- If both monitor stations are monitoring the door station and the talk button is pressed on one monitor station, the other monitor station will continue to hear the communication.
- Tapping the monitor button of one monitor station while the other monitor station is communicating with the door station will display video and allow communication to be monitored.
- Recording still images, viewing or deleting recorded images, and setting the date and time is not available by the expansion monitor station.

■ RESTRICTIONS ON WIRING

- For wiring, it is recommended to use a single PVC jacketed cable with PE (polyethylene) insulation. The following cables can not be used:

- Coaxial cable
- Single conductor cable
- Twisted pair cable
- Odd conductor cable

PARALLEL CABLE



COAXIAL CABLE



ODD NO. OF CONDUCTORS



- Keep the intercom wires more than 30 cm (12") away from AC 100-240 V wiring. (AC induced noise and/or unit malfunction could result.)
- When using the existing cable run, the system may not work properly by type. In that case, it becomes necessary to install a new cable.
- A1 and A2 between the Expansion monitor and Master monitor stations and the +, - power line cables can all be wired with the same sheath. Other wiring must be separated by at least 10 cm (3-15/16") from A1, A2 and the power cables.

DESCRIPTION EXPANSION MONITOR STATION	FIG. NAME RESTR.	UNIT mm	DATE 15 December, 2023
MODEL NO. JV-1FD	FIG. NO. J53172-4-5	PAGE 4/5	REVISION 1
			AIPHONE

■FUNCTIONS

- Answering a call from a door station, call stand-by approx. 45 sec.
- Communication, approx. 60 sec. timed/Ending communication by pressing end button
- Releasing of electric lock
- Option button: controls external device such as a garage
- Press-to-talk communication, after pressing talk button approx. 2 sec. or more
- Monitoring video door station, approx. 60 sec. timed
- Displays the 2-dimensional barcode to access the operating manual
- Automatic night-time illumination by LED light
- When a short circuit is detected in the video door station wiring or the expansion monitor station wiring, the unit stops functioning and the notification LED flashes rapidly until the short is removed

■SETTING

Item	Setting range	Default
Brightness	1-5	3
Receiving volume	1-3	2
Incoming ringtone volume	0-3	2
Incoming ringtone	♪1/♪2/♪3	♪1

●Administrator settings

Item	Setting range	Default
Contact output time *		
Option output duration	1/5/10/20/30 (sec.)	5 sec.
Door release duration	1/5/10/20/30 (sec.)	5 sec.
Initialize	-	-

* The setting values should be the same as those of other monitor station.

DESCRIPTION EXPANSION MONITOR STATION	FIG. NAME FCN. /SETTING	UNIT mm	DATE 15 December, 2023
MODEL NO. JV-1FD	FIG. NO. J53172-5-5	PAGE 5/5	REVISION 1
			AIPHONE