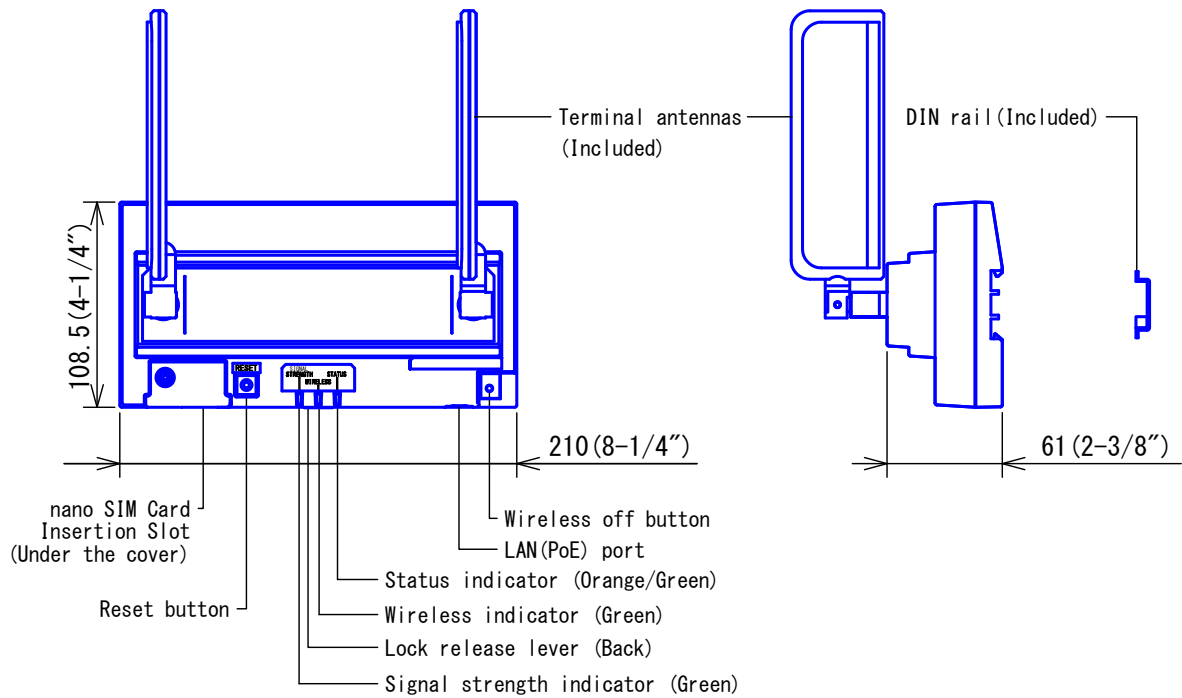


Describes the latest firmware specifications.

■ PRODUCT DRAWING



The MAC address is on the back of the device.

■ SPECIFICATIONS

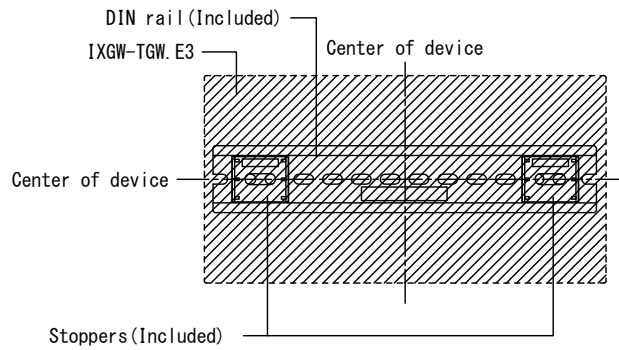
Power	PoE (IEEE 802.3af Class 0 standard)
Power consumption	Standby 2.8W, Max. 5.1W (48V DC)
LAN	Ethernet (10BASE-T, 100BASE-TX) Auto MDI/MDI-X-compatible
Wireless communication	LTE (B1/B3/B5/B8/B9/B18/B19/B26/B28) WCDMA (B1/B5/B6/B8/B19)
Supported SIM card size	nano SIM
Protocol	IPv4, IPv6, TCP, UDP, SIP, HTTPS, RTP, RTCP, SRTP, SRTCP, IGMP, MLD, SFTP, DHCP, NTP, DNS, MQTT, ICE, DTLS, SDP
Encryption system	TLS1.2, IEEE802.1X
Packet transmission	Unicast and Multicast
Channel	Intercom App: 8 Phone: 1
Operating ambient temperature	-10 - +50 °C (+14 - +122 ° F)
Mounting	Wall-mounted (DIN rail)
Material	Flame retardant ABS resin
Unit color	Black
Weight	430g (0.95 lbs) (Approx. 540g (1.2 lbs) with DIN rail and terminal antennas)

DESCRIPTION	FIG. NAME	UNIT	DATE
TELEPHONE GATEWAY ADAPTOR	PRODUCT DRAWING/SPEC.	mm	18 December, 2023
MODEL NO.	FIG. NO.	PAGE	REVISION
IXGW-TGW. E3	157058-1-6	1/6	1

AIPHONE

● MOUNTING

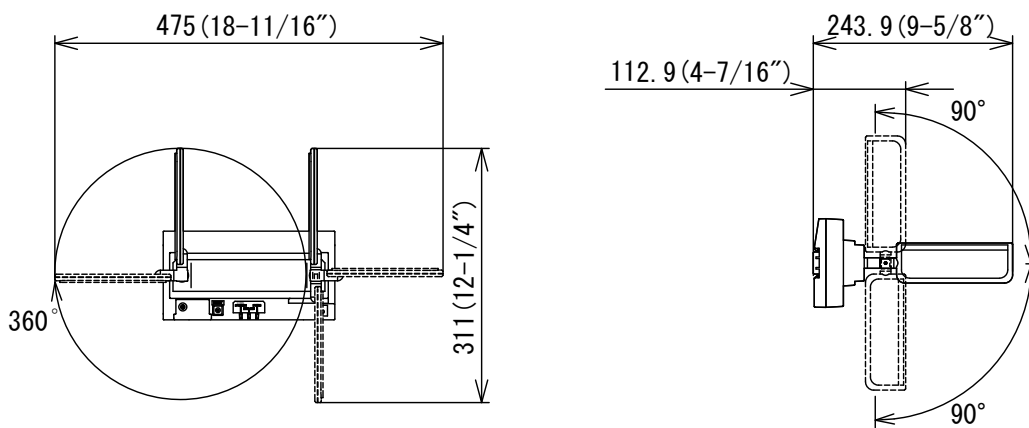
- Mounting on wall surface



● SECURE AN OPERATION SPACE FOR ANTENNAS

The antennas can be rotated 90° up and down and 360° left and right.

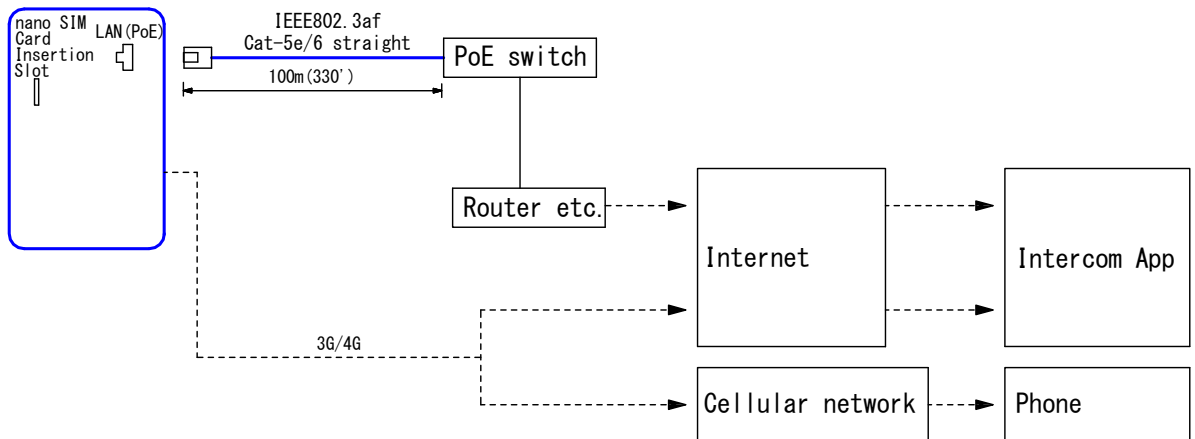
The antennas shall be installed in a location that takes into account the range of movement of the antennas.



DESCRIPTION TELEPHONE GATEWAY ADAPTOR	FIG. NAME PRODUCT DRAWING	UNIT mm	DATE 18 December, 2023
MODEL NO. IXGW-TGW.E3	FIG. NO. 157058-2-6	PAGE 2/6	REVISION 1
			AIPHONE

■ WIRING DIAGRAM

Telephone Gateway Adaptor
IXGW-TGW. E3



■ RESTRICTIONS

- A PoE-compatible switch must be used as the switch (hub) for station connection.
- A computer is required to make system settings.
IXG system can be configured in "IXG Support Tool" application
- If the Internet connection's uplink speed is slow, video may not be displayed properly.
(An uplink speed of 18.4 Mbps or more is recommended.)
- Wireless communication is not available except for 3G/4G networks.
- Check the reception where the station will be installed in advanced. Some areas may not be suitable, such as:
 - Locations with bad reception such as underground locations or inside buildings
 - Outside 3G/4G service areas provided by communication carriers
 - Top floors of high-rise buildings and mansions
 - Near metallic doors, etc.
- Communication may be interrupted even when signal conditions are good.
- Do not install the product outdoors.
- The station may cause interference with implantable medical devices, such as pacemakers.
Install the station so it is more than 15cm(5") from users of these medical devices.
- Install the product at least 1m(3' 3") away from medical electrical equipment.
- Devices that use the same frequency band as this device may interfere with its functions.
Keep them far away from the device.
- While updating the System settings, stations unavailable
- Due to the future required changes to network communication functionality etc. may not be possible to respond by updating the firmware of the station and it may not operate properly.

DESCRIPTION TELEPHONE GATEWAY ADAPTOR	FIG. NAME WIRING DIAGRAM/RESTR.	UNIT mm	DATE 18 December, 2023
MODEL NO. IXGW-TGW. E3	FIG. NO. 157058-3-6	PAGE 3/6	REVISION 1 AIPHONE

■ RESTRICTIONS ABOUT THE NETWORK

- Wired LAN is recommended because wireless LAN and other wireless communications may not work properly due to security and communication speed delays.
- When connecting via the Internet (global IP networks), VPN Service is necessary.
- For IPv4 Address with DHCP, due to the architecture of the this system, DHCP configuration is only recommended for network environments utilizing managed (static) IP address leasing.
- For stateless IPv6 Address, do not change the prefix of the device so that it cannot transmit Router Advertisement (RA).
- For IPv6 Address with DHCP, due to the architecture of the this system, DHCP configuration is only recommended for network environments utilizing managed (static) IP address leasing.
The DUID of the device: 00030001 + MAC address
- Depending on the network environment and computer, prior arrangements and setup operations involving the network administrator might be necessary.
- Depending on the network environment, operation delays might occur.
- Depending on the network environment or other factors, audio or video dropout, delays, lower frame rates, or other loss of correct operation might occur.
- The protocols used by this system must be supported.
- IPv4 and IPv6 cannot be mixed in the same system.
- When using multicasting for video, or audio, use in an environment that does not reject IGMPv3 or MLDv2.
- The Intercom App may be unavailable for a certain period of time due to maintenance of the cloud server.
- If the cloud server terminates service, the Intercom App will no longer be available.

■ NETWORK SECURITY

This unit is used while connected to a network, and so may be exposed to the following forms of harm.

- Data breach or leakage via the unit
- Illicit operation, impairment, or stoppage of the unit by a malicious third party

To prevent such harm, you must implement, at your own responsibility, network security measures that also include measures such as the following.

- Use the unit on a network whose safety is secured by the use of a firewall or the like.
- When using the unit in a system to which computers are connected, verify that checking and elimination with respect to infection by computer viruses and illicit programs is conducted periodically.
- To prevent network breaches of video or audio data, authentication data (users names and passwords), notification email data, and the like, implement measures such as restricting access by means of user authentication.
- Store authentication data (user names and passwords) carefully and out of sight from third parties.
- Never install in such as way that the unit or cables can easily be detached or damaged.

DESCRIPTION TELEPHONE GATEWAY ADAPTOR	FIG. NAME RESTRICTIONS/NETWORK SECURITY	UNIT mm	DATE 18 December, 2023
MODEL NO. IXGW-TGW. E3	FIG. NO. 157058-4-6	PAGE 4/6	REVISION 1 AIPHONE

■FUNCTIONS

The Gateway adaptor is a device that can make calls to Intercom App and phone by connecting to the Internet.

A contract with a telecommunications carrier is required for Internet access and other services.

- Connection to the Intercom App via wired or wireless (3G/4G) connection to the Internet.
Up to 8 mobile devices can be registered with each unit(Residential Unit / Commercial Unit / Guard Unit)
- Wireless connection to the Internet to work with a phone (requires SIM card and phone number on the phone).
Up to one phone can be registered in each room (Residential Unit only).

■FUNCTION OF THE INTERCOM APP

- Calling
 - Indoor call
 - Calling a Commercial unit
 - Calling a Guard unit
 - Calling a Common Inside Area
 - Calling another station in the Residential unit
- Answer and communication
 - Answer and communication: Answer a call from a station and communicate with it.
- Monitoring
 - Monitoring a Door station: Monitor video and audio from a Door station.
(only own Residential unit or a Common Outside Area).
 - Monitoring an IP camera: View the video and audio of an IP camera.
- Audio or video recording function
 - Automatic recording of audio and video: When receiving an incoming call, video can be recorded automatically for approximately 10 seconds.
The recordings are saved on the IXG Cloud Server (up to 100 recordings).
 - Manual recording of audio and video: Video and audio can be recorded manually for approximately 10 seconds.
The recordings are saved on the mobile device (up to 100 recordings).
 - Audio and video playback: Play audio and video recordings.
- Others
 - Unlock a door: Unlock an electric lock while receiving an incoming call, during communication, or while monitoring.
 - Unlocking by QR code: The electric lock at the entrance is unlocked by holding a QR code registered in the Intercom App over the camera of the video entrance station.
 - Incoming call history: Up to each 20 incoming calls are stored.
 - Receiving messages: Receive messages from the administrator (messages sent by the IXG Support Tool).
Available when the intercom application is registered to the residential room.
 - Incoming calls from multiple properties: A single Intercom App can answer calls from multiple properties.
 - Microphone mute: During communication, the microphone can be turned off by the operation.
 - Call rejection: Incoming calls can not be received by the setting.

■FUNCTION OF THE PHONE

- Answer and communication
 - Answer and communication: Answer a call from a station and communicate with it.
 - Unlock a door: Unlock an electric lock during communication.

DESCRIPTION TELEPHONE GATEWAY ADAPTOR	FIG. NAME FUNCTIONS	UNIT mm	DATE 18 December, 2023
MODEL NO. IXGW-TGW. E3	FIG. NO. 157058-5-6	PAGE 5/6	REVISION 1 AIPHONE

■ SETTING

- Using the "IXG Support Tool" application
Install the application on a PC and use to create the setting file for all stations.
Refer to "■ IXG SUPPORT TOOL"

■ IXG SUPPORT TOOL

- System requirements

OS	Windows 7 Windows 8 Windows 8.1 Windows 10 Windows 11
CPU	32 bit (x86) processor or 64 bit (x64) processor of 1 GHz or higher
Memory	4 GB RAM or higher
Screen resolution	1280x768 or greater

- Functions
 - Settings: All stations in the system can be configured from the Settings window.
 - Setting File Download: Store the Settings File
 - Setting File Upload: Upload the Settings File
 - Station Search: Search the stations in IX/IXG System connected in the network to show the list.
 - Station Replacement: This feature to replace a station.
 - Restore System Settings: If the setting file is lost, the setting file can be restored.
 - Update Firmware: Update the firmware for the station.

■ IXG SUPERVISION TOOL

Install the application on a PC and use to Line supervision and device check for stations.

- System requirements

OS	Windows 7 Windows 8 Windows 8.1 Windows 10 Windows 11
CPU	32 bit (x86) processor or 64 bit (x64) processor of 1 GHz or higher
Memory	4 GB RAM or higher
Screen resolution	1280x768 or greater

- Functions
 - Line Supervision: By checking the response to a ping, this feature confirms that the station is properly connected to the network.
 - Device Check: This function to determine whether stations are operating normally or malfunctioning.
 - Download Video and Audio: To download recordings of the Station's (except IX-SOFT) micro SD card.

DESCRIPTION TELEPHONE GATEWAY ADAPTOR	FIG. NAME SETTING/IXG SUPPORT TOOL/ IXG SUPERVISION TOOL	UNIT mm	DATE 18 December, 2023
MODEL NO. IXGW-TGW. E3	FIG. NO. 157058-6-6	PAGE 6/6	REVISION 1 AIPHONE