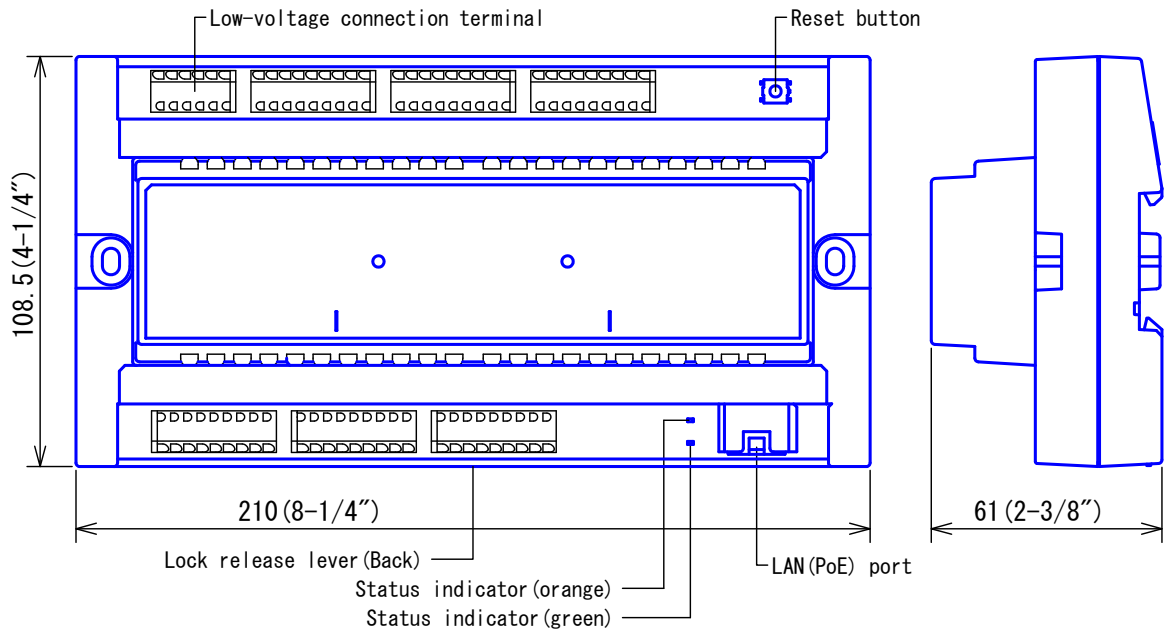
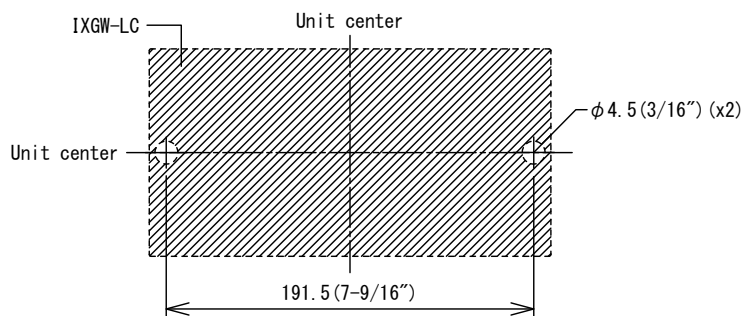


## ■ PRODUCT DRAWING



## ● MOUNTING

- Mounting on wall surface

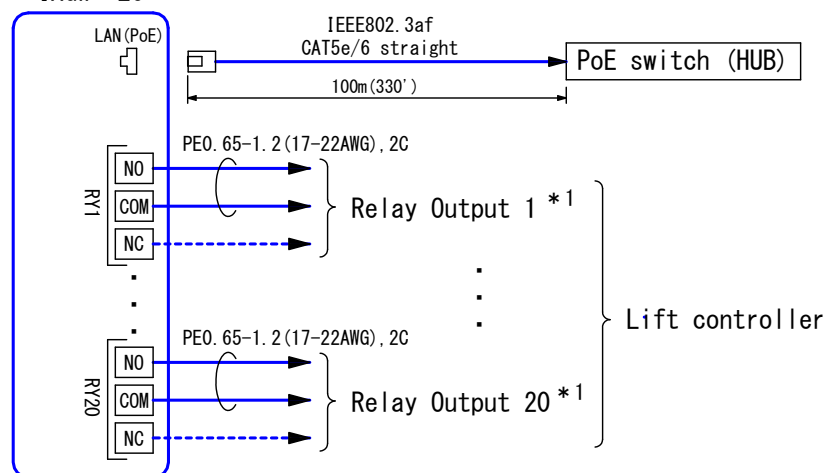


## ■ SPECIFICATIONS

Power source	Power-over-Ethernet (IEEE 802.3af Class 0)		
Current consumption	Standby 2.1W, Max. 4.4W (48V DC)		
LAN	Ethernet (10BASE-T, 100BASE-TX), Auto MDI/MDI-X-compatible		
Protocol	IPv4, IPv6, TCP, UDP, HTTP, HTTPS, IGMP, MLD, FTP, DHCP, NTP, DNS, TLS		
Encryption method	TLS1.0, TLS1.1, TLS1.2		
Packet delivery	Unicast, Multicast		
Ambient temperature	-10 - +50°C (+14 - +122° F)		
Mounting	Wall-mounted/Wall-mounted (DIN-rail) (sold separately)		
Material	Self-extinguishing ABS resin		
Unit color	Middle gray (N6.4 Munsell Approximation)		
Weight	Approx. 310g (0.69 lbs)		
DESCRIPTION LIFT CONTROL ADAPTOR	FIG. NAME PRODUCT DRAWING/SPEC.	UNIT mm	DATE 7 February, 2020
MODEL NO. IXGW-LC	FIG. NO. 156717-1-3	PAGE 1/3	REVISION 1

## ■ WIRING DIAGRAM

Lift control adaptor  
IXGW - LC



\*1. Relay Output Specifications

Output method	Form C dry contact (N/O or N/C)
Contact rating	24V AC, 0.5A (resistive load)
	24V DC, 0.5A (resistive load)
	Minimum overload (AC/DC): 100mV, 0.1mA

## ■ RESTRICTIONS

- A PoE-compatible switch must be used as the switch (hub) for station connection.
- A computer is required to make system settings.  
IXG system can be configured in "IXG Support Tool" application.
- While updating the System settings, stations unavailable.

## ■ RESTRICTIONS ABOUT THE NETWORK

- When connecting via the Internet (global IP networks), VPN Service is necessary.
- We do not recommend using a wireless communication such as wireless LAN as it may not operate correctly due to security issues or communication speed delays.
- For IPv4 Address with DHCP, due to the architecture of the IXG system, DHCP configuration is only recommended for network environments utilizing managed (static) IP address leasing.
- For stateless IPv6 Address, do not change the prefix of the device so that it cannot transmit Router Advertisement (RA).
- For IPv6 Address with DHCP, due to the architecture of the IXG system, DHCP configuration is only recommended for network environments utilizing managed (static) IP address leasing.  
The DUID of the device: 00030001 + MAC address
- Depending on the network environment and computer, prior arrangements and setup operations involving the network administrator might be necessary.
- Depending on the network environment, operation delays might occur.
- Depending on the network environment or other factors, audio or video dropout, delays, lower frame rates, or other loss of correct operation might occur.
- The protocols used by this system must be supported.
- IPv4 and IPv6 cannot be mixed in the same system.

DESCRIPTION <b>LIFT CONTROL ADAPTOR</b>	FIG. NAME <b>WIRING/ RESTRICTIONS</b>	UNIT mm	DATE 7 February, 2020
MODEL NO. <b>IXGW-LC</b>	FIG. NO. 156717-2-3	PAGE 2/3	REVISION 1
			<b>AIPHONE</b>

## FUNCTIONS

- Contact output

Make contact output at the time of receiving the following instructions.

- Call a room or unlock an electric lock from an Entrance station
- Unlock an electric lock from a Tenant station, Master station, or Intercom App during calling or communication with an Entrance station
- Tap a Lift Control Button of a Tenant station

- Indicators

Name	Status	Description
Status indicator	Orange flashing	Booting
		Firmware version upgrading
		Initializing
	Green light	Standby

## SETTING

- Using the "IXG Support Tool" application

Install the application on a PC and use to create the setting file for all stations.

Refer to "IXG SUPPORT TOOL"

## IXG SUPPORT TOOL

- System requirements

OS	Windows® 7 Professional (SP1), Windows® 7 Enterprise (SP1), Windows® 7 Ultimate (SP1) Windows® 8, Windows® 8 pro, Windows® 8 Enterprise Windows® 8.1, Windows® 8.1 pro, Windows® 8.1 Enterprise Windows® 10 Home, Windows® 10 pro, Windows® 10 Enterprise Windows® 11 Home, Windows® 11 pro, Windows® 11 Enterprise
CPU	32 bit (x86) processor or 64 bit (x64) processor of 1 GHz or higher
Memory	4 GB RAM or higher
Screen resolution 1280x768 or greater	

- Functions

- Settings...All stations in the system can be configured from the Settings window.
- Setting File Download...Store the Settings File
- Setting File Upload...Upload the Settings File
- Station Search...Search the stations in IX/IXG System connected in the network to show the list.
- Station Replacement...this feature to replace a station.
- Restore System Settings...If the setting file is lost, the setting file can be restored.
- Update Firmware...Update the firmware for the station.

## IXG SUPERVISION TOOL

Install the application on a PC and use to Line supervision for stations.

- System requirements

OS	Windows® 7 Professional (SP1), Windows® 7 Enterprise (SP1), Windows® 7 Ultimate (SP1) Windows® 8, Windows® 8 pro, Windows® 8 Enterprise Windows® 8.1, Windows® 8.1 pro, Windows® 8.1 Enterprise Windows® 10 Home, Windows® 10 pro, Windows® 10 Enterprise Windows® 11 Home, Windows® 11 pro, Windows® 11 Enterprise
CPU	32 bit (x86) processor or 64 bit (x64) processor of 1 GHz or higher
Memory	4 GB RAM or higher
Screen resolution 1280x768 or greater	

- Functions

- Line Supervision...By checking the response to a ping, this feature confirms that the station is properly connected to the network.

DESCRIPTION <b>LIFT CONTROL ADAPTOR</b>	FIG. NAME FUNCTIONS/SETTING/IXG SUPPORT TOOL/ IXG SUPERVISION TOOL	UNIT mm	DATE 2 March, 2023
MODEL NO. <b>IXGW-LC</b>	FIG. NO. 156717-3-3	PAGE 3/3	REVISION 2 <b>AIPHONE</b>