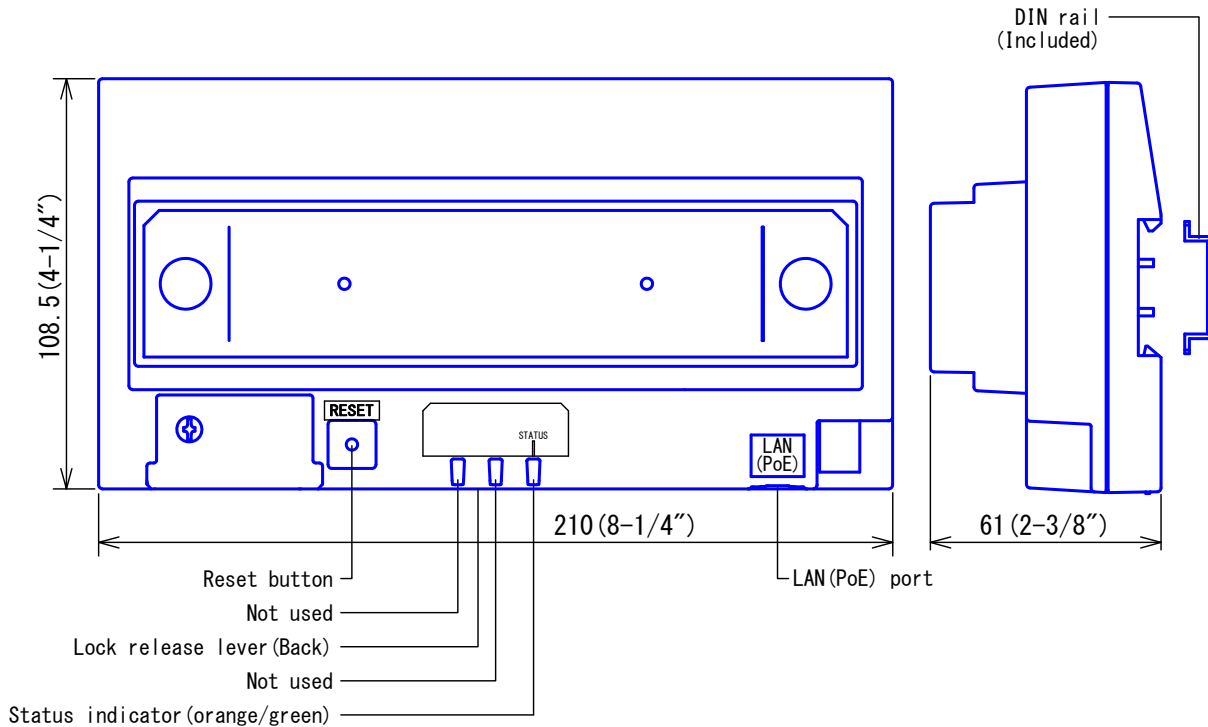
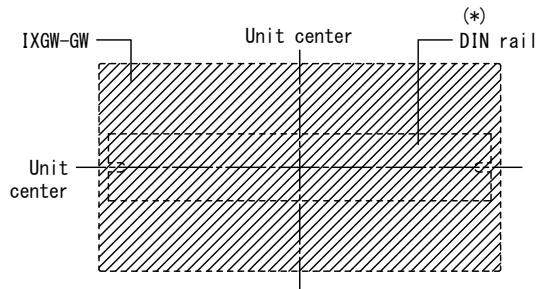


■ PRODUCT DRAWING



● MOUNTING

- Mounting on wall surface



* DIN rail: Included with the unit

Due to the features and services provided by the Gateway Adaptor and the AIPHONE IXG app, future required changes to device functionality, network communication, security, etc. may require firmware updates unavailable to the Gateway Adaptor. In this situation, the Gateway Adaptor would need to be replaced at the cost of the responsible party.

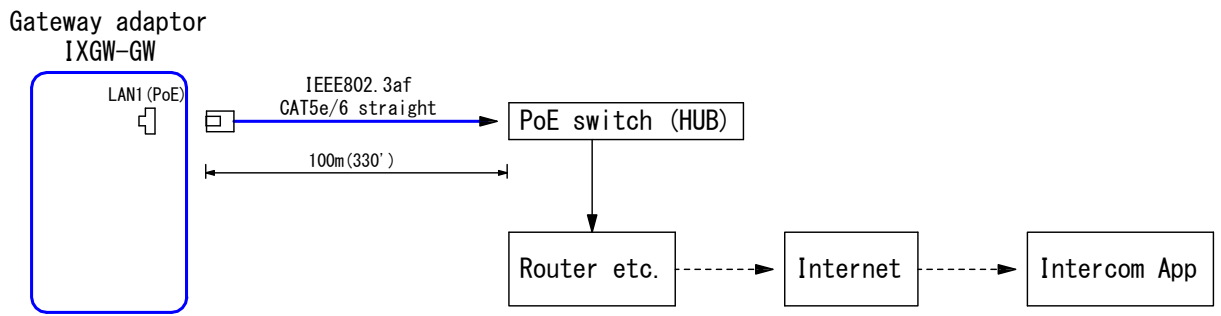
■ SPECIFICATIONS

Power source	Power-over-Ethernet(IEEE 802.3af Class 0)
Current consumption	Standby 2.4W, Max. 2.9W(48V DC)
LAN	Ethernet(10BASE-T, 100BASE-TX), Auto MDI/MDI-X-compatible
Protocol	IPv4, IPv6, TCP, UDP, SIP, HTTPS, RTP, RTCP, SRTP, SRTCP, IGMP, MLD, SFTP, DHCP, NTP, DNS, MQTT, ICE, DTLS, SDP
Encryption method	TLS1.0, TLS1.1, TLS1.2
Packet delivery	Unicast, Multicast
Channel	8
Ambient temperature	-10 - +50°C(+14 - +122° F)
Mounting	Wall-mounted(DIN rail)
Material	Self-extinguishing ABS resin
Unit color	Black
Weight	Approx. 320g (0.71 lbs) (Approx. 350g(0.78 lbs) with DIN rail)

DESCRIPTION GATEWAY ADAPTOR	FIG. NAME PRODUCT DRAWING/ SPEC.	UNIT mm	DATE 19 February, 2020
MODEL NO. IXGW-GW	FIG. NO. 156759-1-4	PAGE 1/4	REVISION 1

AIPHONE

■ WIRING DIAGRAM



■ RESTRICTIONS

- A PoE-compatible switch must be used as the switch (hub) for station connection.
- A computer is required to make system settings.
IXG system can be configured in "IXG Support Tool" application.
- Do not register unused units in the address list. If unused units are present in the address list, system performance will degrade.

■ RESTRICTIONS ABOUT THE NETWORK

- We do not recommend using a wireless communication such as wireless LAN as it may not operate correctly due to security issues or communication speed delays.
- For IPv4 Address with DHCP, due to the architecture of the IXG system, DHCP configuration is only recommended for network environments utilizing managed (static) IP address leasing.
- For stateless IPv6 Address, do not change the prefix of the device so that it cannot transmit Router Advertisement (RA).
- For IPv6 Address with DHCP, due to the architecture of the IXG system, DHCP configuration is only recommended for network environments utilizing managed (static) IP address leasing.
The DUID of the device: 00030001 + MAC address
- Depending on the network environment and computer, prior arrangements and setup operations involving the network administrator might be necessary.
- Depending on the network environment, operation delays might occur.
- Depending on the network environment or other factors, audio or video dropout, delays, lower frame rates, or other loss of correct operation might occur.
- The protocols used by this system must be supported.
- The network bandwidth required by each device when communicating are as follows.
 - G.711 : 64kbps x 2 (in communication)
 - H.264 : 32kbps - up to 2048kbps
- IPv4 and IPv6 cannot be mixed in the same system.
- If the Internet connection's uplink speed is slow, video may not be displayed properly.
(An uplink speed of 16 Mbps or more is recommended.)
- Intercom app may become unavailable for a certain period of time due to maintenance on the cloud server.
- If the cloud server terminates the service, you will not be able to use the intercom app.
- The intercom app will be unavailable while the Gateway Adapter firmware is being updated.

■ FUNCTIONS

The Gateway adaptor is a device that can make calls to Intercom App by connecting to the Internet.

- Cooperation with Intercom App (Android/iOS)
- Others
 - Up to 8 mobile devices can be registered with each unit (Residential Unit / Commercial Unit / Guard Unit)

DESCRIPTION	FIG. NAME	UNIT	DATE
GATEWAY ADAPTOR	WIRING/RESTR. /FUNC.	mm	6 April, 2022
MODEL NO.	FIG. NO.	PAGE	REVISION
IXGW-GW	156759-2-4	2/4	2
			AIPHONE

■FUNCTION OF THE INTERCOM APP

- Answer and communication
 - Answer a call from a station and communicate with it.
- Monitoring
 - Monitoring a Door station: Monitor video and audio from a Door station
(only own Residential unit or a Common Outside Area).
 - Monitoring an Entrance station: Monitor video and audio from an Entrance station.
- Audio and video recording function
 - Automatic recording of audio and video: When receiving a incoming call, video and audio can be recorded automatically for approximately 10 seconds. The recordings are saved on the IXG Cloud Server.
 - Manual recording of audio and video: Video and audio can be recorded manually for approximately 10 seconds. The recordings are saved on the mobile device.
 - Audio and video playback: Play audio and video recordings.
- Others
 - Unlock a door: Unlock an electric lock while receiving an incoming call, during communication, or while monitoring.
 - Incoming call history: Up to each 20 incoming calls are stored.
 - Microphone mute: During communication, the microphone can be turned off by the operation.
 - Call rejection: Incoming calls can not be received by the setting.
- Indicators

Name	Status	Description
Status indicator	Orange light	IXG Cloud Sever authentication error
	Orange flashing	Booting
		Communication failure
		Firmware version upgrading
		Initializing
Green light	Standby	

■SETTING

- Using the "IXG Support Tool" application
Install the application on a PC and use to create the setting file for all stations.
Refer to "■IXG SUPPORT TOOL"

DESCRIPTION GATEWAY ADAPTOR	FIG. NAME FUNCTION/SETTING	UNIT mm	DATE 19 February, 2020
MODEL NO. IXGW-GW	FIG. NO. 156759-3-4	PAGE 3/4	REVISION 1
			AIPHONE

■ IXC SUPPORT TOOL

• System requirements

OS	Windows® 7 Professional (SP1), Windows® 7 Enterprise (SP1), Windows® 7 Ultimate (SP1) Windows® 8, Windows® 8 pro, Windows® 8 Enterprise Windows® 8.1, Windows® 8.1 pro, Windows® 8.1 Enterprise Windows® 10 Home, Windows® 10 pro, Windows® 10 Enterprise Windows® 11 Home, Windows® 11 pro, Windows® 11 Enterprise
CPU	32 bit (x86) processor or 64 bit (x64) processor of 1 GHz or higher
Memory	4 GB RAM or higher
Screen resolution	1280x768 or greater

• Functions

- Settings...All stations in the system can be configured from the Settings window.
- Setting File Download...Store the Settings File
- Setting File Upload...Upload the Settings File
- Station Search...Search the stations in IX/IXG System connected in the network to show the list.
- Station Replacement...this feature to replace a station.
- Restore System Settings...If the setting file is lost, the setting file can be restored.
- Update Firmware...Update the firmware for the station.

■ IXC SUPERVISION TOOL

Install the application on a PC and use to Line supervision for stations.

• System requirements

OS	Windows® 7 Professional (SP1), Windows® 7 Enterprise (SP1), Windows® 7 Ultimate (SP1) Windows® 8, Windows® 8 pro, Windows® 8 Enterprise Windows® 8.1, Windows® 8.1 pro, Windows® 8.1 Enterprise Windows® 10 Home, Windows® 10 pro, Windows® 10 Enterprise Windows® 11 Home, Windows® 11 pro, Windows® 11 Enterprise
CPU	32 bit (x86) processor or 64 bit (x64) processor of 1 GHz or higher
Memory	4 GB RAM or higher
Screen resolution	1280x768 or greater

• Functions

- Line Supervision...By checking the response to a ping, this feature confirms that the station is properly connected to the network.

DESCRIPTION GATEWAY ADAPTOR	FIG. NAME IXG SUPPORT TOOL/ IXG SUPERVISION TOOL	UNIT mm	DATE 2 March, 2023
MODEL NO. IXGW-GW	FIG. NO. 156759-4-4	PAGE 4/4	REVISION 2 AIPHONE