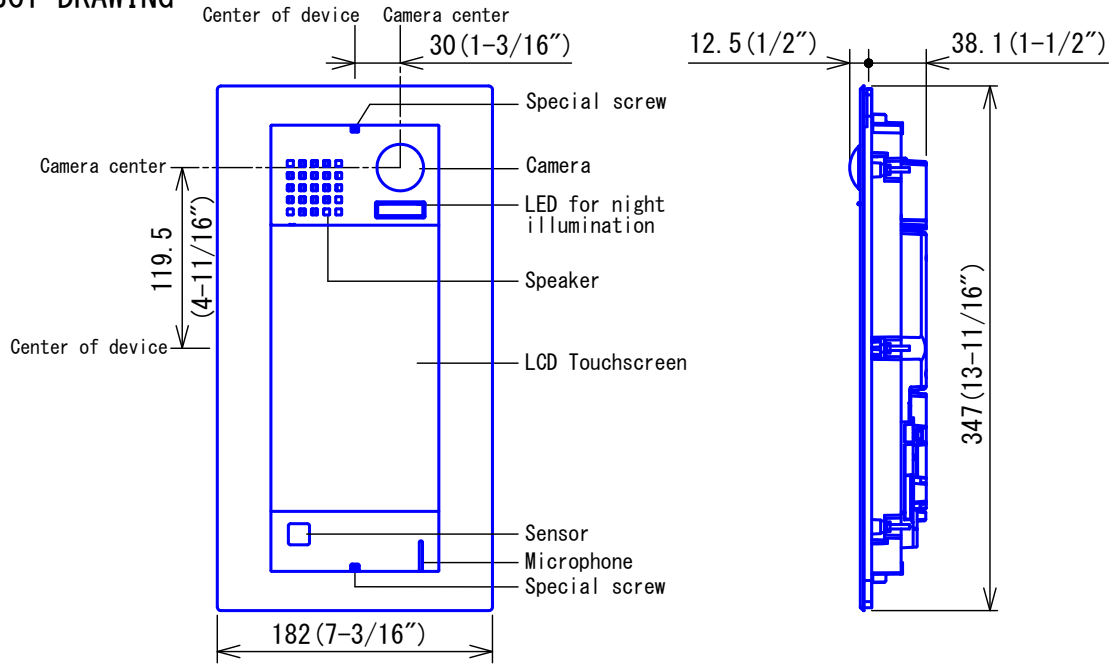
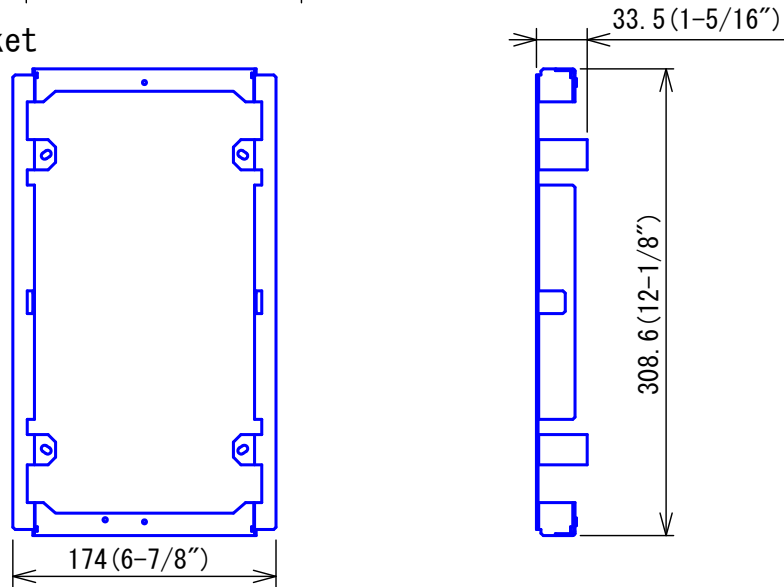


Describes the latest firmware specifications.

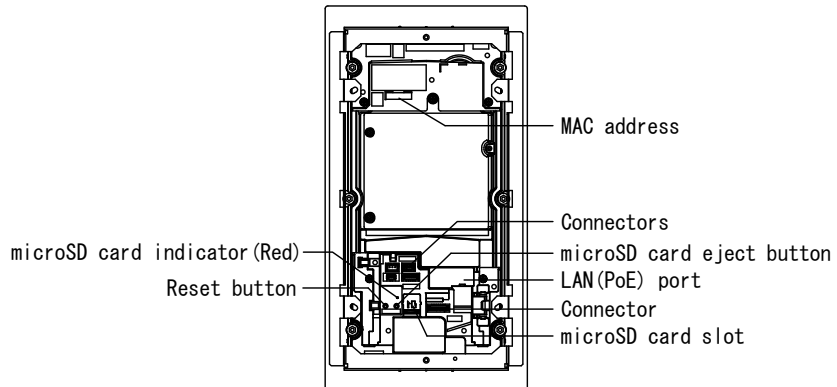
■ PRODUCT DRAWING



● Mounting bracket



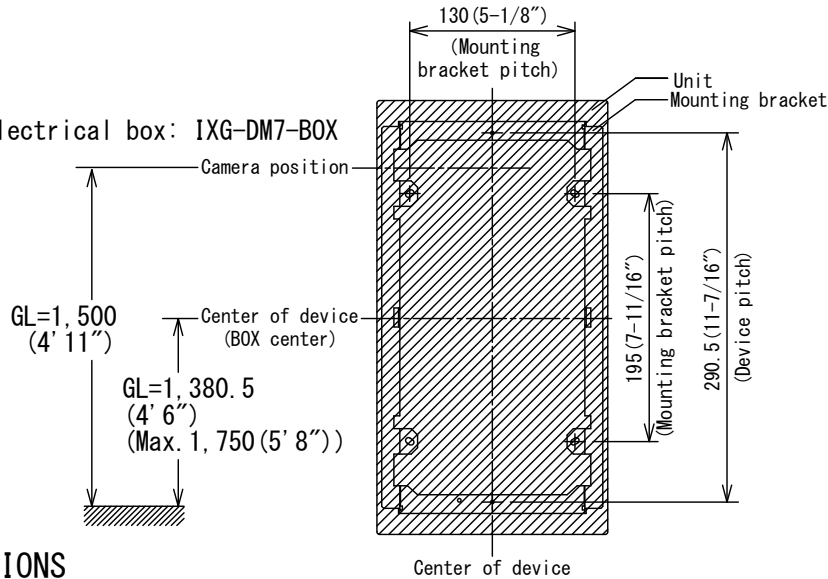
<Back view>
Under the Terminal cover



DESCRIPTION VIDEO ENTRANCE STATION	FIG. NAME PRODUCT DRAWING	UNIT mm	DATE 25 December, 2023
MODEL NO. IXG-DM7-10K	FIG. NO. 157086-1-9	PAGE 1/9	REVISION 1
			AIPHONE

● MOUNTING

- Use the electrical box: IXG-DM7-BOX



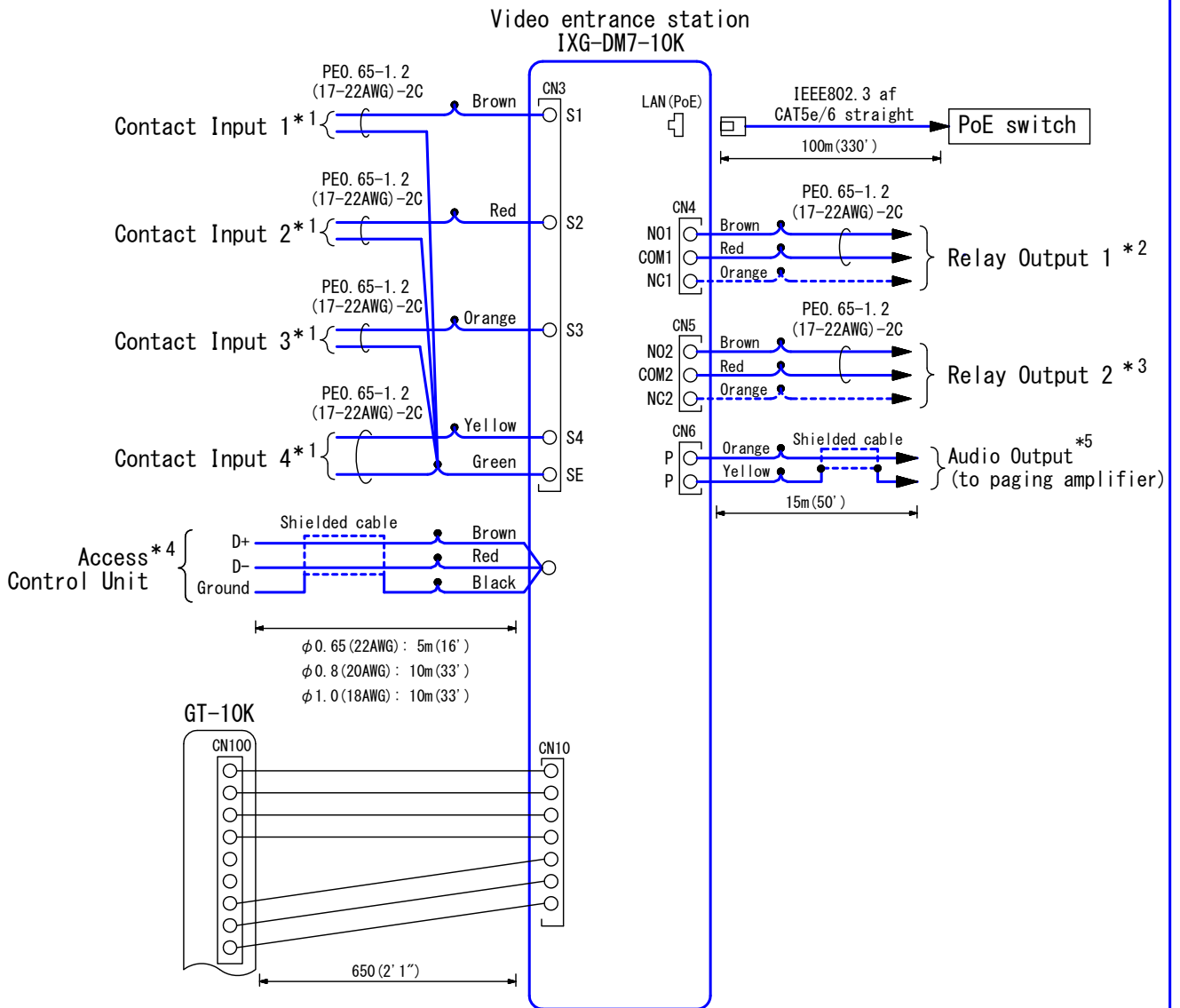
■ SPECIFICATIONS

Power	PoE (IEEE 802.3af Class 0 standard)
Power consumption	Standby 3.1W, Max. 12.1W (48V DC)
Communication	Full duplex audio (depending on the destination station)
Display	7" TFT LCD display (Capacitive touch panel)
Display resolution	WVGA 800 x 480 (Approx. 1.15 million pixels)
Camera	1/3-type Color CMOS, HD1280 x 720 (Approx. 900,000 pixels)
Minimum illumination	5 lux
LAN	Ethernet (10BASE-T, 100BASE-TX), Auto MDI/MDI-X-compatible
Audio codec	G.711 (μ -law, A-law)
Video codec	H.264 AVC, Motion-JPEG
Protocol	IPv4, IPv6, TCP, UDP, SIP RFC3261, HTTP, HTTPS, RTSP, RTP, RTCP, IGMP, MLD, SMTP, SFTP, DHCP, NTP, DNS, TLS
Encryption method	TLS1.2, IEEE802.1X
Packet delivery	Unicast, Multicast
Number of units	Max. 9,998 units (Number of stations that can be registered as a call destinations: IX/IXG stations and VoIP phones: Max. 9,998 stations phones: Max. 9,998 stations Intercom Apps: Max. 9,998 units x 8)
Number of buildings	Max. 99 buildings
Operating ambient temperature	-10 - +60°C (+14 - +140° F)
Mounting	Flush wall-mount
Electrical box	IXG-DM7-BOX
Material	Front panel : Stainless steel, vertical alignment finished Main unit - Case: Flame retardant ABS resin LCD display : Glass Chassis : Die-cast aluminum
Unit color	Front panel : Silver Main unit : Black
Weight	Approx. 2.4kg (5.3 lbs)
IP rating	IP65 (dust-proof/spray-resistant)
IK rating	IK08
Remarks	ONVIF Profile S support

DESCRIPTION	FIG. NAME	UNIT	DATE
VIDEO ENTRANCE STATION	PRODUCT DRAWING/SPEC.	mm	25 December, 2023
MODEL NO.	FIG. NO.	PAGE	REVISION
IXG-DM7-10K	157086-2-9	2/9	1

AIPHONE

WIRING DIAGRAM



***1. Contact Input Specifications**

Input method	Programmable dry contact (N/O or N/C) (The operation will not be performed again even if the input continues at the time of recovery.)
Detection Time Range	0 (Momentary), 200-2000 msec. 3-600 sec can be set.
Contact resistance	Make: 700 Ω or less Break: 3k Ω or more
Terminal short-circuit current	10 mA or less
Voltage between terminals	5.5 VDC or less (between open terminals)

***2. Relay Output 1 Specifications**

Output method	Form C dry contact (N/O or N/C)
Contact rating	24 VAC/DC, 3A (resistive load) Minimum overload (AC/DC) : 5V, 100mA

***3. Relay Output 2 Specifications**

Output method	Form C dry contact (N/O or N/C)
Contact rating	24 VAC/DC, 0.5A (resistive load) Minimum overload (AC/DC) : 100mV, 0.1mA

- *4. Compatibility access controllers**
- Made by Cogelec HEPLUS (HEXACT®)
 - Made by Comelit UGVBT (AIPHONE)

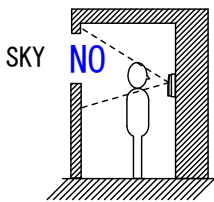
***5. Audio Output Specifications**

Output impedance	600 Ω
Output audio volume	300mVrms (at 600 Ω termination)

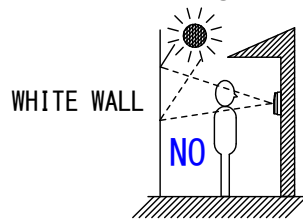
DESCRIPTION VIDEO ENTRANCE STATION	FIG. NAME WIRING DIAGRAM	UNIT mm	DATE 25 December, 2023
MODEL NO. IXG-DM7-10K	FIG. NO. 157086-3-9	PAGE 3/9	REVISION 1
			AIPHONE

■ RESTRICTIONS

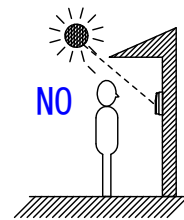
- A PoE-compatible switch must be used as the switch (hub) for station connection.
- A computer is required to make system settings.
IXG system can be configured in "IXG Support Tool" application.
- When installing the station on a rough surface, please use seal the station edges to prevent water entering the station.
If the station edges are left unsealed on a rough surface, IP65 ingress protection rating is not guaranteed.
- Due to risk of failure to accomplish collision detection and risk of false alarms, the following matters must be taken into account when installing.
 - Fasten to the wall securely.
 - Avoid locations where the unit might experience vibration at times such as when opening and closing the door.
- If the embedded box is exposed, water and dust will enter through the opening of the embedded box, and IP65 is not fulfilled.
- Avoid to install this station in the following locations:



At the entrance where background is sky in upper floors of Condominiums, etc.



The background of the standing caller's is white wall.



Where the standing location is strongly sunlit.

- Install vertically.
- While updating the System settings, stations unavailable.
- The station includes a sensor to detect human body heat. Ambient temperatures and environmental conditions may interfere with the sensor's function.
- If water drops are attached to the LCD display, it may be difficult to react when touched.
- Wearing gloves may interfere with touch screen operation.
- In order to audio or video record, the following microSD memory card (market goods) compliant with SD standard is necessary.

Standard	Supported storage capacity	Format	Speed Class
microSDHC memory card	4GB to 32GB	FAT32	SD speed class 10

- Select a microSD memory card that suits the usage environment such as temperature.
- Due to the future required changes to network communication functionality etc. may not be possible to respond by updating the firmware of the station and it may not operate properly.

DESCRIPTION VIDEO ENTRANCE STATION	FIG. NAME RESTRICTIONS	UNIT mm	DATE 25 December, 2023
MODEL NO. IXG-DM7-10K	FIG. NO. 157086-4-9	PAGE 4/9	REVISION 1 AIPHONE

■ RESTRICTIONS ABOUT THE NETWORK

- When connecting via the Internet (global IP networks), VPN Service is necessary.
- Wired LAN is recommended because wireless LAN and other wireless communications may not work properly due to security and communication speed delays.
- For IPv4 Address with DHCP, due to the architecture of the this system, DHCP configuration is only recommended for network environments utilizing managed (static) IP address leasing.
- For stateless IPv6 Address, do not change the prefix of the device so that it cannot transmit Router Advertisement (RA).
- For IPv6 Address with DHCP, due to the architecture of the this system, DHCP configuration is only recommended for network environments utilizing managed (static) IP address leasing.
The DUID of the device: 00030001 + MAC address
- Depending on the network environment and computer, prior arrangements and setup operations involving the network administrator might be necessary.
- Depending on the network environment, operation delay might occur.
- Depending on the network environment or other factors, audio or video dropout, delays, lower frame rates, or other loss of correct operation might occur.
- The protocols used by this system must be supported.
- The network bandwidth required by each device when communicating are as follows.
G. 711 : 64kbps x 2(in communication), 64kbps x stations(on page)
H. 264 : 32kbps - up to 2048kbps
- IPv4 and IPv6 cannot be mixed in the same system.
- When using multicasting for video, or audio, use in an environment that does not reject IGMPv3 or MLDv2.

■ NETWORK SECURITY

This unit is used while connected to a network, and so may be exposed to the following forms of harm.

- Data breach or leakage via the unit
- Illicit operation, impairment, or stoppage of the unit by a malicious third party

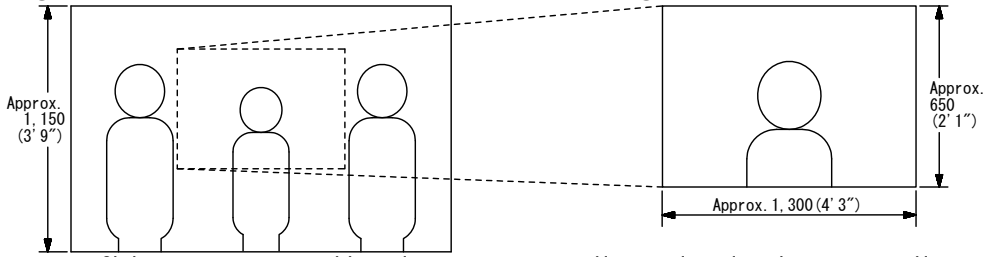
To prevent such harm, you must implement, at your own responsibility, network security measures that also include measures such as the following.

- Use the unit on a network whose safety is secured by the use of a firewall or the like.
- When using the unit in a system to which computers are connected, verify that checking and elimination with respect to infection by computer viruses and illicit programs is conducted periodically.
- To prevent network breaches of video or audio data, authentication data (users names and passwords), notification email data, and the like, implement measures such as restricting access by means of user authentication.
- Store authentication data (user names and passwords) carefully and out of sight from third parties.
- Never install in such as way that the unit or cables can easily be detached or damaged.

DESCRIPTION VIDEO ENTRANCE STATION	FIG. NAME RESTRICTIONS/NETWORK SECURITY	UNIT mm	DATE 25 December, 2023
MODEL NO. IXG-DM7-10K	FIG. NO. 157086-5-9	PAGE 5/9	REVISION 1 AIPHONE

■ IMAGE VIEW AREA & MOUNTING HEIGHT

● WIDE

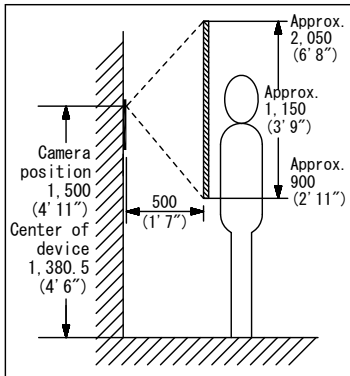


- Objects appear smaller due to greater distortion in the surrounding sections compared to the central section, but a wider area is displayed.
- Image view area depends on the camera zoom position.
- Switching between wide and zoom is set by the IXG Suppot Tool. (Cannot be switched at the station receiving the video.)
- The zoom position is fixed to the preset position set by the IXG Suppot Tool. (Cannot be operated on the station receiving the video.)

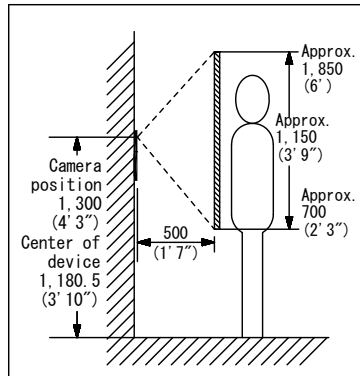
● WIDE

Vertical

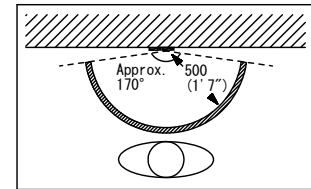
Mounting position
1,500mm (4' 11")



Mounting position
1,300mm (4' 3")



Horizontal

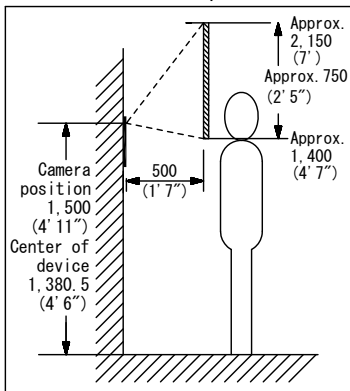


- ◆ An area over a range of approx. 170° in a 500mm (1' 7") radius from the camera displays. (The display range is a rough estimation and may change due to the installation environment and the specification of the monitor.)

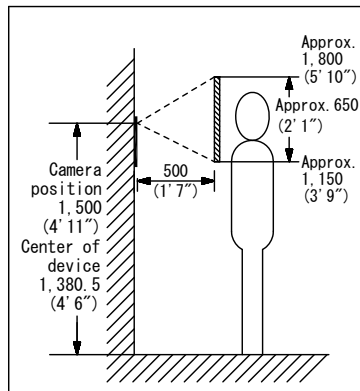
● ZOOM (Mounting position 1,500mm (4' 11"))

Vertical

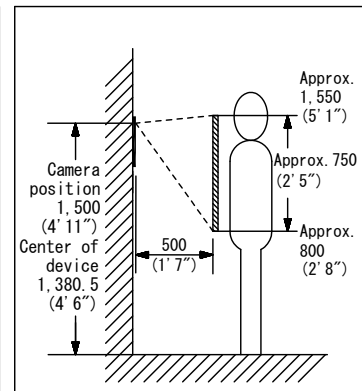
Zoom <Up>



Zoom <Center>

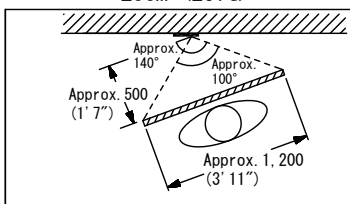


Zoom <Down>

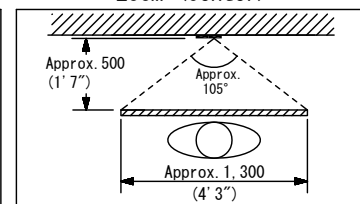


Horizontal

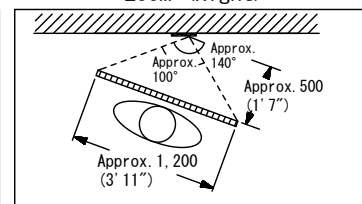
Zoom <Left>



Zoom <Center>



Zoom <Right>



DESCRIPTION	FIG. NAME	UNIT	DATE
VIDEO ENTRANCE STATION	IMAGE VIEW AREA & MOUNTING HEIGHT	mm	25 December, 2023
MODEL NO.	FIG. NO.	PAGE	REVISION
IXG-DM7-10K	157086-6-9	6/9	1

AIPHONE

■ FUNCTIONS

- Calling
 - Calling a Residential unit
 - Calling a Commercial unit
 - Calling a Guard unit
 - Calling a Common Inside Area
 - Call Limitation: Limit the destinations that can be called according to a predefined schedule.
- Answer and communication
 - Auto answer: When auto answer is enabled, individual calls from other Master Stations will be answered automatically.
- Paging
 - Incoming a page
- Audio or video recording function
 - Audio or video recording: Record audio and video to a microSD card at the start of a call or communication, etc. depending on the settings.
 - 24/7 Recording: Continuously record as long as the station is operating normally.
 - Audio or video playback: Play an audio or video recording saved to a microSD card on a computer.
- Option Input
 - The following functions can be assigned to each of the four option inputs.
 - Door Release: Unlock a door by triggering a contact input.
 - Relay Latch Reset: Reset the "Latch Output" in operation.
- Relay Output
 - The following functions can be assigned to each of the two relay outputs.
 - External Audio Output: Trigger a relay output for operating PA amplifier when audio output from Audio Output terminal.
 - Door Release: Trigger a relay output when receiving an unlocking instruction.
 - Latch Output: Contact output is performed based on the operation of the station to operate the rotating light, etc.
 - Option Relay Control: Trigger a relay output when receiving making an relay output instruction from another station.
- Audio output
 - Output receiving audio of communication or paging to paging amplifier.
- Others
 - Prevent being monitored: Prevent being monitored video and audio by other stations depending on the settings.
 - Unlock a door: Unlock the door using an access code, QR code or in conjunction with VIGIK.
 - Calling method: Specify a unit from the following methods.
 - Enter a unit number
 - Call a unit from a list
 - Search a unit by name
 - Call a unit directory
 - Select a display screen: Select a display screen from the following screens.
 - Welcome screen: Display a registered wall paper.
 - Call by unit number screen
 - Call by list screen
 - Search by name screen
 - Door Release Keypad screen
 - Door Release QR Code screen
 - Call Directory screen
 - White LED: Light LED automatically while calling, communicating, or being monitored in low light situation.

DESCRIPTION VIDEO ENTRANCE STATION	FIG. NAME FUNCTIONS	UNIT mm	DATE 25 December, 2023
MODEL NO. IXG-DM7-10K	FIG. NO. 157086-7-9	PAGE 7/9	REVISION 1 AIPHONE

- Language support: Change the display language temporary. Audio message during a call and at the start of communication or unlock a door also change temporary. *1
 - Send e-mails: Emails can be sent to pre-registered email addresses when triggering events occur.
 - Hardware key unit connection : The following operations can be performed with the hardware keys.
 - Calling
 - Answer and communication
 - Unlock the door using an access code.
 - IP-PBX integration: IXG System can integrate with IP-PBX.
Make, receive, transfer calls, answer visitors, and release doors.
* Some countries have local restrictions on connecting to a PBX.
 - Transmitting video through ONVIF: View Video from Door station camera with a third party product supporting the ONVIF specification.
- *1. If characters other than alphanumeric characters, spaces, and symbols ("~! \$% (). /::? @ _ +) are used in the building name and unit name, they will be blank or garbled when the language is changed.

■ SETTING

- Using the "IXG Support Tool" application
Install the application on a PC and use to create the setting file for all stations.
Refer to "■ IXG SUPPORT TOOL"

DESCRIPTION VIDEO ENTRANCE STATION	FIG. NAME FUNCTIONS/SETTING	UNIT mm	DATE 25 December, 2023
MODEL NO. IXG-DM7-10K	FIG. NO. 157086-8-9	PAGE 8/9	REVISION 1
			AIPHONE

■ IXG SUPPORT TOOL

● System requirements

OS	Windows 7 Windows 8 Windows 8.1 Windows 10 Windows 11
CPU	32 bit (x86) processor or 64 bit (x64) processor of 1 GHz or higher
Memory	4 GB RAM or higher
Screen resolution	1280x768 or greater

● Functions

- Settings: All stations in the system can be configured from the Settings window.
- Setting File Download: Store the Settings File
- Setting File Upload: Upload the Settings File
- Station Search: Search the stations in IX/IXG System connected in the network to show the list.
- Station Replacement: This feature to replace a station.
- Restore System Settings: If the setting file is lost, the setting file can be restored.
- Update Firmware: Update the firmware for the station.

■ IXG SUPERVISION TOOL

Install the application on a PC and use to Line supervision and device check for stations.

● System requirements

OS	Windows 7 Windows 8 Windows 8.1 Windows 10 Windows 11
CPU	32 bit (x86) processor or 64 bit (x64) processor of 1 GHz or higher
Memory	4 GB RAM or higher
Screen resolution	1280x768 or greater

● Functions

- Line Supervision: By checking the response to a ping, this feature confirms that the station is properly connected to the network.
- Device Check: This function to determine whether stations are operating normally or malfunctioning.
- Download Video and Audio: To download recordings of the Station's (except IX-SOFT) micro SD card.

DESCRIPTION VIDEO ENTRANCE STATION	FIG. NAME IXG SUPPORT TOOL/ IXG SUPERVISION TOOL	UNIT mm	DATE 25 December, 2023
MODEL NO. IXG-DM7-10K	FIG. NO. 157086-9-9	PAGE 9/9	REVISION 1 AIPHONE