

# SBX-2G/A

## Stainless Steel Surface Mount Box for 2-Gang Sub Stations

### -INSTRUCTIONS-

The SBX-2G/A is a surface mount stainless steel enclosure designed for mounting Aiphone 2-gang sub stations. The enclosure is weather resistant and includes space inside for wiring. The unit mounts to a 1-gang box or ring, or mounts directly to a wall surface.

#### MOUNTING:

1. Mount SBX-2G/A to a 1-gang box or wall surface.
2. Connect supplied speed nuts to mounting tabs.
3. Make wiring connections to the sub station.
4. Mount sub station to box using the screws provided.

#### PACKAGE CONTENTS:

- SBX-2G/A unit
- Packet of screws (4)
- Speed nuts (4)
- T-15 Torx bit (1)

#### COMPATIBLE AIPHONE SUB STATIONS:

##### LEF/IX-1AS, IX-10AS Series

LE-SS/A Vandal Resistant Stainless Steel Sub Station  
LE-SSR Vandal Resistant with Red Mushroom Call Button  
LE-DA Sub with Stainless Steel Faceplate

##### IE/AX Series

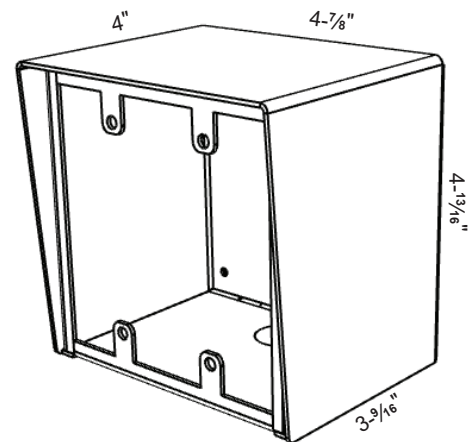
IE-SS/A Vandal Resistant Stainless Steel Sub Station  
IE-SSR Vandal Resistant with Red Mushroom Call Button  
IE-JA Sub with Stainless Steel Faceplate

##### IS Series

IS-SS-2G Vandal Resistant Stainless Steel Sub Station  
IS-SSR-2G Vandal Resistant with Red Mushroom Call Button

##### IX Series

IX-SS-2G Vandal Resistant Stainless Steel Sub Station



#### SPECIFICATIONS:

Mounting:	1-gang box or surface mount directly to wall
Material:	18-Gauge Stainless Steel
Color:	Polished Stainless Steel
Mounting Hardware:	$\frac{8}{32}$ with T-15 Torx Head
Dimensions (HxWxD):	4- $\frac{13}{16}$ " x 4- $\frac{7}{8}$ " x 4"
Interior depth:	3- $\frac{3}{8}$ "