

**SYSTEM/MODEL:** LEF

**MODIFICATION:** Increase LED timing circuit

**DIFFICULTY LEVEL:** 3 - Moderate - Removal or replacement of internal components.

**COMPONENTS REQUIRED:** 1. Capacitor:  
220  $\mu$ fd, 16V, ~2 minutes  
470  $\mu$ fd, 16V, ~4 minutes  
1000  $\mu$ fd, 16V, ~5 minutes

**INSTR/OPERATIONS:** 1. Remove and replace C3 on the main PC board of the LEF series master station with a different value capacitor to achieve the desired LED timing length.

2. LED's will stay illuminated for the duration of the timing circuit from the moment the last sub station places a call.

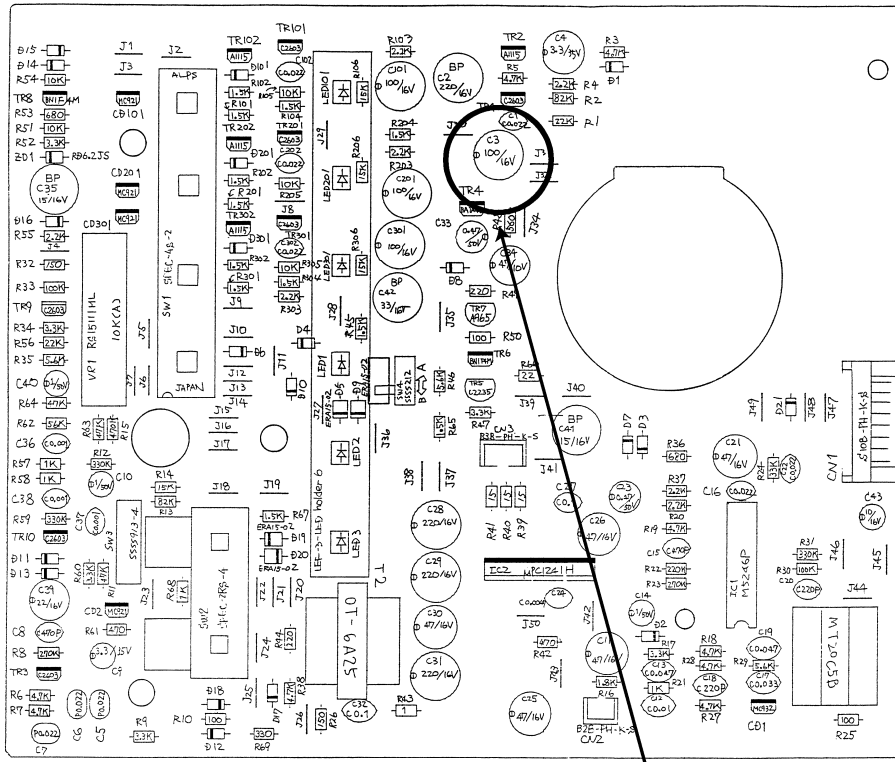
**REFERENCE DRAWING #:**

Aiphone's product warranty applies to products properly modified using these instructions. However, if a unit is damaged as a result of improper modification, the warranty does not apply.

# MODIFICATION INSTRUCTIONS

## INCREASE LED TIMING CIRCUIT LEF Master Stations

PC-1180 Component side view

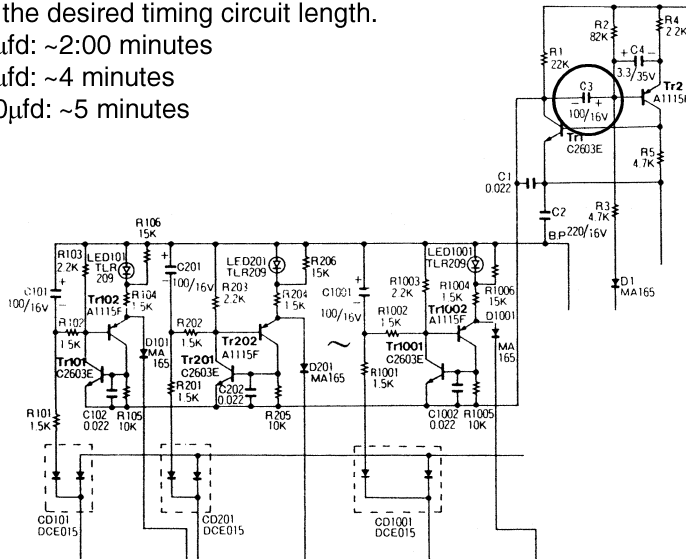


NOTE:  
Capacitor is in the same area on the PC board of the LEF and LEF-C master stations.

Replace C3

Locate and replace capacitor C3.  
Change value to a higher level to reach the desired timing circuit length.

- \* 220 $\mu$ fd: ~2:00 minutes
- \* 470 $\mu$ fd: ~4 minutes
- \* 1000 $\mu$ fd: ~5 minutes

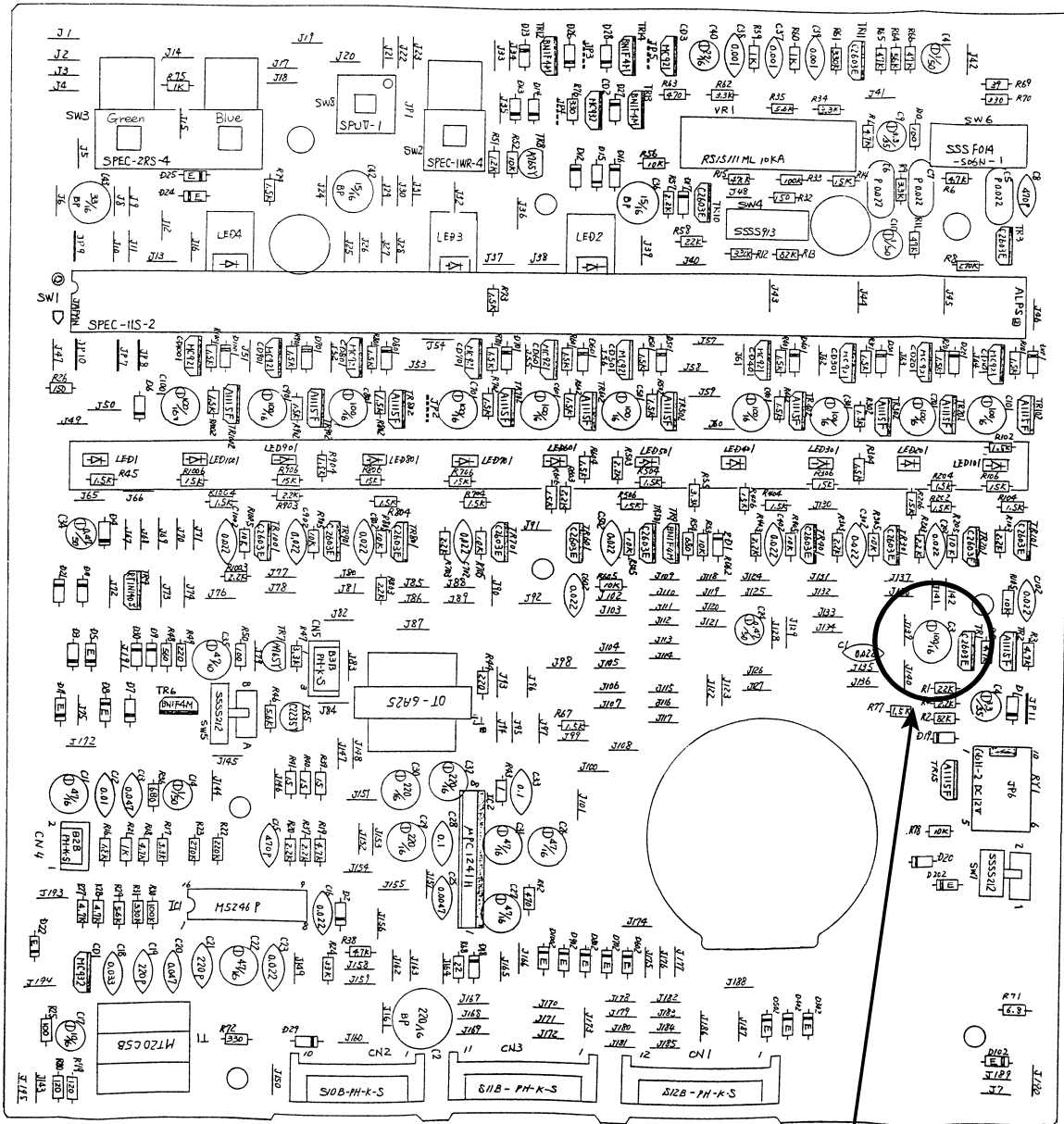


# MODIFICATION INSTRUCTIONS

## INCREASE LED TIMING CIRCUIT (LEF-10C)

■ PC-1288B

PC-1288 Component side



Locate and replace capacitor C3.  
Change value to a higher level to  
reach the desired timing circuit length.

PC-1288B

Replace C3